

**NEXT STEPS**

Date \_\_\_\_/\_\_\_\_/\_\_\_\_

Name \_\_\_\_\_

Your Age Group  
 18-22 23-30 31-35 36-40  
 41-45 46-50 51-60 61-70 71+

or

Current School Grade  
 K 1 2 3 4 5 6  
 7 8 9 10 11 12 College

Please Indicate:  Single  Married

Address \_\_\_\_\_

City \_\_\_\_\_

State \_\_\_\_\_ Zip \_\_\_\_\_

Phone: \_\_\_\_\_

Email \_\_\_\_\_

I'd like to receive church communications via:  
 Text  Email  Both

Is this your...  
 1st Time?  2nd Time?  3rd Time?

I am an:  Attender  Member

I came as a guest of \_\_\_\_\_

Names of children living at home & birthdates:  
 \_\_\_\_\_  
 \_\_\_\_\_  
 \_\_\_\_\_

My Decision Today:

I'm committing my life to Christ  
 I want to be baptized  
 I'm renewing my commitment to Christ  
 Enroll me in the next...  
 Class 101 How to Connect  
 Class 201 How to Grow  
 Class 301 How to Serve  
 Class 401 Discovering My Life Mission  
 Class 501 Discovering Worship

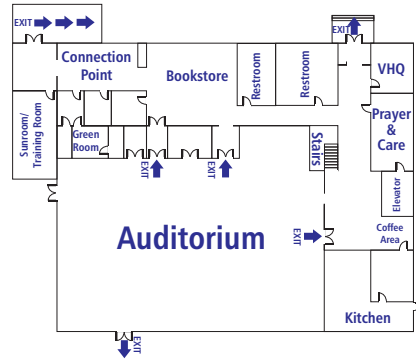
I'm interested in joining a Small Group  
 I'd like info about Celebrate Recovery  
 I'm willing to help where needed  
 I'd like to talk to a staff minister

Fold and Tear Here

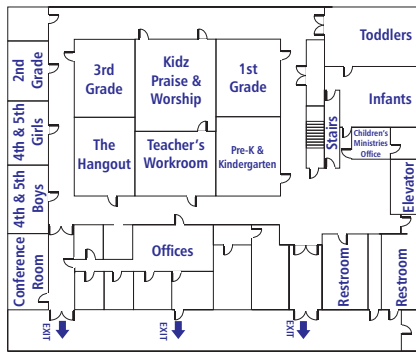
**MAPS & PARKING**

**TVCC BUILDING MAP**

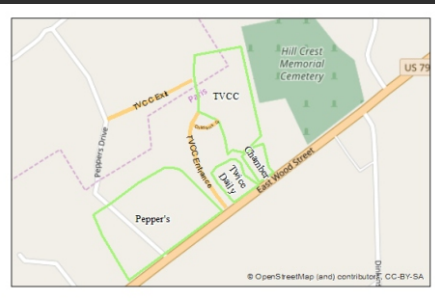
**Upstairs**



**Downstairs**



**TVCC PARKING LOT SAFETY**



Please ENTER the TVCC campus off WOOD STREET and EXIT on PEPPERS DRIVE.

This is to help the flow of traffic between services and for the safety of everyone!

**CHURCH WIDE OPPORTUNITIES continued...**

**MISSIONS MEETING WITH KEVIN ZWART, NAMIBIA LEADER FOR AFRICA INLAND MISSIONS**



*Kevin Zwart will be in Paris on April 23 for our Prayer Gathering. Immediately after the Gathering, Kevin will share information about missions in Africa. Everyone is invited to attend.*

**Senior Sunday**

**Sunday, April 28 during the 11:00am service**



Pick up a registration form in the Bookstore or at Got Questions? Or contact Jennifer Culpepper at 731-363-3956

**WAYS TO GIVE**

You can give online through the website at tvcc.us or through the TVCC app.

You can give in person using the envelopes provided in the seat backs and place those in the bags at the auditorium exits.

You can also mail your gift or tithe to: 2500 East Wood Street, Paris, TN 38242 or feel free to drop it by the church office.



**TVCC KIDZ**  
Let your light shine!  
Matthew 5:16

Infants - 5th grade Meet downstairs during the 9:30 and 11:00 service



If you have any questions, please feel free to contact Children's Ministries Director, Tracy Randolph: trandolph@tvcc.us, 731.641.8822 Office or 731.336.9399 Cell or Assistant Director, Ashley Hughes: ahughes@tvcc.us

find help, discover hope, experience healing

**DIVORCE Care**

Divorce Care is for anyone who is struggling through the pain of divorce or separation. It meets Sunday nights from 6:00 p.m. to 8:00 p.m. at TVCC in the Prayer & Care Room. It is open to everyone and childcare is available. For more info contact: Chris Grissom at 731.336.8281 or chris.grissom.racing@gmail.com



**SHADOWLANDS**  
Building Lives On The Pattern of Jesus

Out of The Darkness

**OUT OF THE DARKNESS**

But if we are living in the light, as God is in the light, then we have fellowship with each other, and the blood of Jesus, his Son, cleanses us from all sin." (1 John 1:5-7, NLT)



*We believe:* We grow warmer through fellowship, deeper through discipleship, stronger through worship, broader through ministry, and larger through evangelism.

